

Product Name	ThermaCube™ Thermal Delivery Bag	Quantity		Item #	
--------------	----------------------------------	----------	--	--------	--



Note: Requires induction charging base and ThermaCube pellet tray assembly to work - sold separately.



Standard Features

- Nylon and VaporVent™ thermal delivery bag
- For use with ThermaCube™ TCS charging base
- Requires TCT-PT pellet tray assembly to work (sold separately) - pellet tray assembly stays in bag at all times and is only removed when the bag needs to be laundered or replaced due to wear and tear
- TCT-PT pellet tray assembly required, with 10% more heat than TCS-PT to accommodate the larger bag size
- Keeps food hot and fresh for deliveries of up to 30 minutes
- VaporVent™ material wicks moisture away from food, which evaporates the next time the bag is charged
- Initial charge in approximately 3.5 minutes, recharges in approximately 60 seconds
- Usable internal volume of approximately 1.07 ft³ / 0.03 m³
- Adjustable carrying strap
- Clear ticket window
- Standard bag is solid black
- Divider separates orders within the bag - two chambers maximum (included)

Specifications

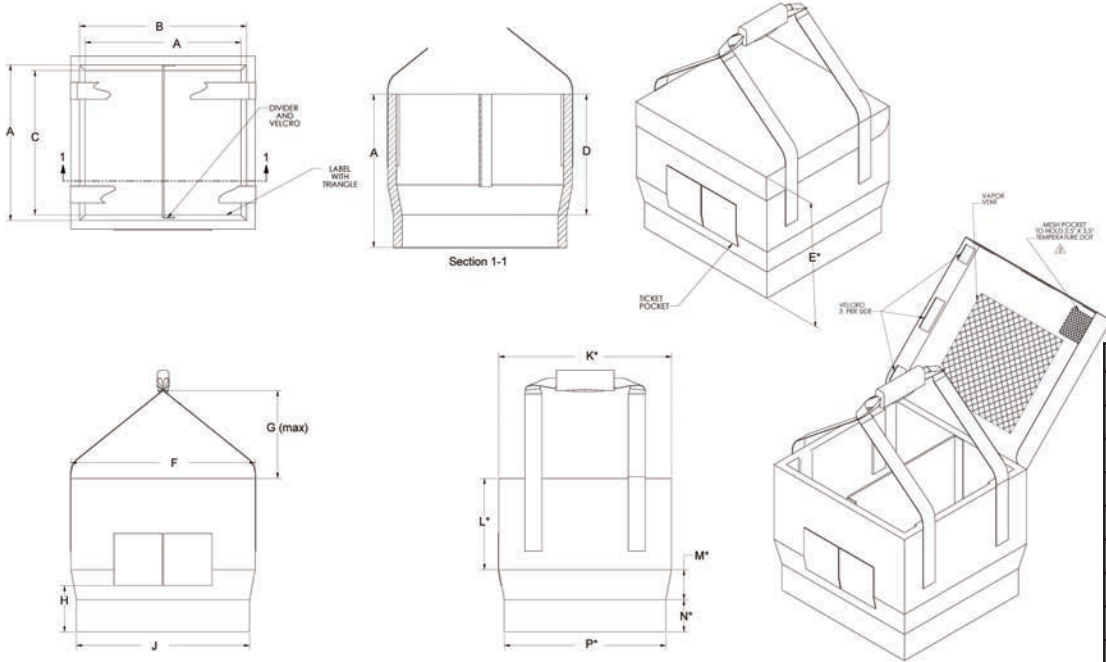
Shall be a CookTek ThermaCube™ Thermal Delivery Bag, model TCTBAG.

Bag shall be constructed of nylon and VaporVent™ material with Velcro closures and a transparent ticket window.

Bag shall come equipped with four polycarbonate stiffeners for the sides of the bag, and a divider to split the bag into two chambers.

Bag intended for use on ThermaCube™ induction charging bases only - not compatible with CookTek PTDS components.

THERMACUBE™ THERMAL DELIVERY BAG TCTBAG



Dimensions		
	inches	mm
A	13.50	343
B	14.50	368
C	12.50	318
D	11.00	279
E	13.35	339
F	15.75	400
G	5.50	140
H	4.00	102
J	15.00	381
K	14.75	375
L	7.90	201
M	2.60	66
N	2.78	71
P	14.00	356

* External dimension. Reference Only.

Specifications

Model Number	TCTBAG
Exterior Dimensions (base in inches)	15.00" x 14.00"
Exterior Dimensions (base in mm)	381 x 356
Exterior Dimensions (top in inches)	15.75" x 14.75"
Exterior Dimensions (top in mm)	400 x 375
Interior Dimensions (base in inches)	13.50" x 12.50"
Interior Dimensions (base in mm)	343 x 318
Interior Dimensions (top in inches)	14.50" x 13.50"
Interior Dimensions (top in mm)	368 x 343
Usable Space Height	11.00" (279mm)
Exterior Height	13.50" (343mm)
Weight	7.6 lbs / 3.45 kg
Packaged Weight	8 lbs / 3.63 kg
Packaged Dimensions (in)	17" x 17" x 9"
Packaged Dimensions (mm)	432 x 432 x 229

Note: Many local codes exist, and it is the Owner and Installer's responsibility to comply with those codes. CookTek continually improves its products and reserves the right to change or improve specifications without notice.

CookTek Induction Systems, LLC
 156 N. Jefferson St. Ste 300
 Chicago, IL 60661-1436, USA
 www.cooktek.com

Tel: 1.312.563.9600 Fax: 1.312.432.6220
 Toll Free: 1.888.COOKTEK (266.5835)
 Toll Free Fax: 1.888.COOKFAX (266.5329)

