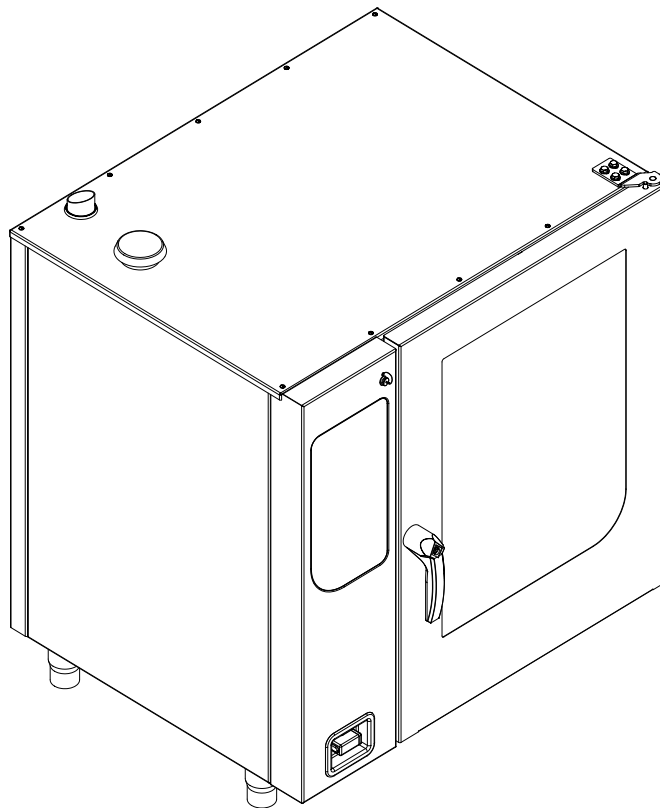




Software Update

Combi Steamer

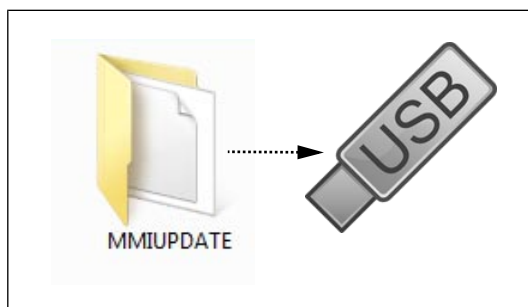


Appliance	Model	Type of energy	Language
FlexiCombi MagicPilot FlexiCombi MagicPilot Team	6.15	Electric / Gas	- English
	6.21		
	10.15		
	10.21		
	20.15		
	20.21		

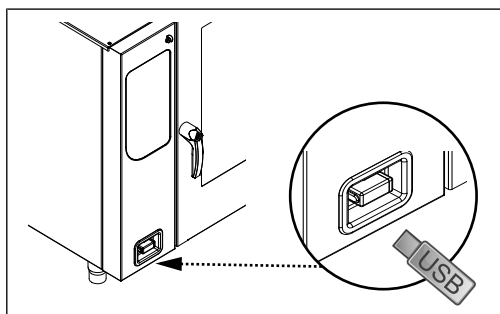
7.1 Software update

- Prerequisite**
- USB stick.
 - ↳ Maximum size 32 GB.
 - ↳ Formatting FAT32 or FAT.
 - ↳ The disk should be empty if possible.
 - Current software update.
 - ↳ The update is provided as packed ZIP file.

- Preparing the USB stick**
- Open and download Zip file and unzip. In general, the unzipped folder is in the same directory as the previously compressed one.
 - Copy unzipped folder "MMIUpdate" to the USB stick.
 - ↳ In the folder you will find the update file.
 - ↳ The file has the extension ".ugl".
 - ↳ For example, "012200.ugl" (software update V1.22).



Inserting the USB stick



The USB interface is behind the cover on the bottom left of the housing.

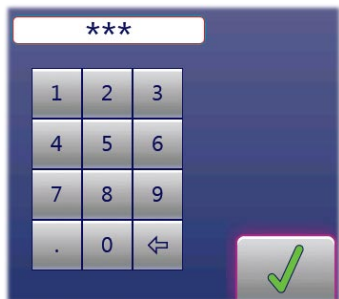
Performing the update



- Switch the appliance on.
- Touch the "Appliance functions" field.
 - ↳ Display of *Appliance functions* menu.



- Touch "Settings" field.
 - ↳ Display of window "PIN".



- Enter password and touch *Confirmation* field.
 - ↳ The password for the Settings menu is **111**.
- Select the "Software update" field on the left area of the menu by swiping.
- Touch the "Software update" field.
- Touch the "OK" field.
 - ↳ The update begins.



The update can take up to 20 minutes. The software is restarted several times. Do not switch appliance off.

- ↳ Then a confirmation appears on the touchscreen.
- Touch the "OK" field.
 - ↳ An automatic restart of the software.

www.mkn.eu

