



Client _____ Quantity _____

Project _____ Position _____

ROC 1100

Model: R110/40BME/A

Cod: MP01255125002

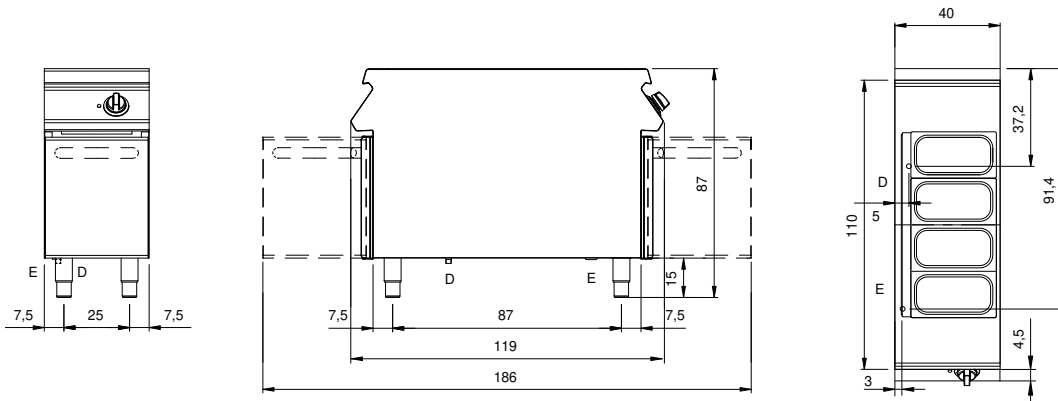
Technical data

Modularity:	On open cabinet
Dimension (mm):	400x1100x870
Total electric power (kW):	2,2
Nr. Wells:	1
Well litres 1:	25
Well dimensions 1 (mm):	351x685x155
Electric power (V):	220-240
Ampere (A):	10
Phases:	1
Cable section (mmq):	3G1,5
Frequency (Hz):	50-60
Drain size:	1"
Net volume (m3):	0,383
Packing dimensions (mm):	480x1272x1240
Gross weight (kg):	75
Gross volume (m3):	0,757

Features

Working top:	Rrealizzato in acciaio inox AISI 304 spessore 2 mm
Knobs:	Made of aluminum with IPX5 water protection
Water inflow:	Manual

Technical draw



E: Electric power

D: Drain for water