



Client \_\_\_\_\_ Quantity \_\_\_\_\_  
Project \_\_\_\_\_ Position \_\_\_\_\_

## ROC 1100

**Model:** R110/100FTE/CLR/A

**Cod:** MP01375125015

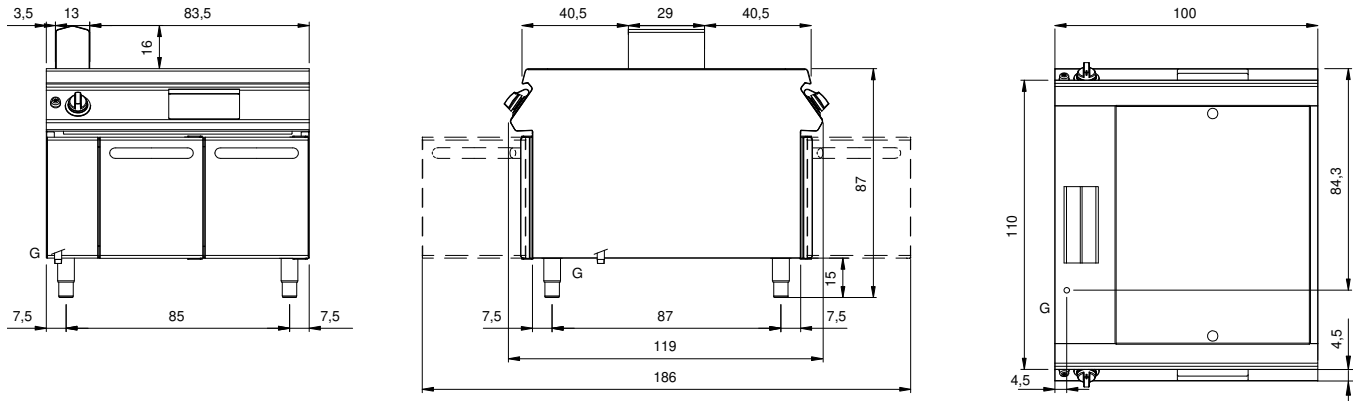
### Technical data

<b>Modularity:</b>	On open cabinet
<b>Dimension (mm):</b>	1000x1100x870
<b>Total electric power (kW):</b>	15
<b>Cooking zone dimensions 1 (LxD mm):</b>	734x900
<b>Electric power (V):</b>	380-415
<b>Ampere (A):</b>	23
<b>Phases:</b>	3N
<b>Cable section (mmq):</b>	5G4
<b>Frequency (Hz):</b>	50-60
<b>Net volume (m3):</b>	0,957
<b>Packing dimensions (mm):</b>	1280x1272x1274
<b>Gross weight (kg):</b>	178
<b>Gross volume (m3):</b>	2,074

### Features

<b>Working top:</b>	Rrealizzato in acciaio inox AISI 304 spessore 2 mm
<b>Material of plate:</b>	Cromo lucido
<b>Knobs:</b>	Made of aluminum with IPX5 water protection
<b>Flue:</b>	Made of AISI 304 stainless steel
<b>Heating:</b>	Armoured heating elements
<b>Liquid collection container:</b>	Removable and dishwasher safe
<b>Plate:</b>	Polished chromed plate
<b>Upright Splash guard:</b>	On two sides (optional)

Technical draw



E: Electric power