

	00	01	02	03	04	05	06	07	08	09	10	11	12	13	14	15	16	17	18	19
	ITALIANO							INGLESE			FRANCESE			TEDESCO			SPAGNOLLO			
A1	TASTIERA	DISPLAY	DISPLAY	AFFICHEUR	ANZEIGE	TECLADO														
A2	SCHEDE DI POTENZA	MAIN BOARD	CARTE PUISSANCE	HAUPTPLATINE	KONDENSATOR	FICHA DE POTENCIA														
C1-2-3	FILTRO ANTIDISTURBO	CONDENSER	KONDENSATEUR	KONDENSATOR	PUMPKONDENSATOR	FILTRO ANTIPERTURBACION														
CP	CONDENSATORE POMPA	PUMP CONDENSER	KONDENSATEUR POMPE	HAUPTRELAYS	HILFRELAYS	CONDENSADOR BOMBA														
KA	RELE GENERALE	MAIN RELAY	RELAIS	RELAIS	HILFRELAYS	RELE GENERAL														
MA 1-2-3	RELE AUSILIARIO	AUXILIAR ELAY	RELAIS AUXILIAIRES	NACHSPULPUMPE-RELAIS	SICHERHEIT'S-THERMOSTAT DES BOILERS	RELE AUXILIAR														
MAMB	RELE POMPA ALIMENTO PRESSIONE	RELAY BOOSTER PUMP	RELAIS SURPRESSEUR	NACHSPULPUMPE-RELAIS	SICHERHEIT'S-FERNSCHALTTER DES BOILERS	RELE BOMBA ALIMENTO DE PRESSIONE														
MBS	TELELUTTORE SICUREZZA BOLLER	BOLLER SAFETY CONTACTOR	TELELUTTEUR SECURITE SURCHAUFFEUR	SICHERHEIT'S-FERNSCHALTTER DER BOILERS	CONTACTOR CALDERIN	CONTACTOR DE SEGURIDAD CALDERINI														
MB K&H	TELELUTTORE BOLLER	BOLLER CONTACTOR	TELELUTTEUR SURCHAUFFEUR	FERNSCHALTTER DES BOILERS	CONTACTOR CALDERIN	CONTACTOR CALDERIN														
MV	TELELUTTORE VASCA	TANK CONTACTOR	TELELUTTEUR CUVE	FERNSCHALTTER DER TANK	CONTACTOR CUBA	CONTACTOR CUBA														
MV1	TELELUTTORE POMPA LAVAGGIO 1	PUMP CONTACTOR TANK 1	TELELUTTEUR POMPE CUVE 1	FERNSCHALTTER DER WASCHPUMPE 1	CONTACTOR BOMBA LAVADO 1	CONTACTOR BOMBA LAVADO 1														
MV2	TELELUTTORE POMPA LAVAGGIO 2	PUMP CONTACTOR TANK 2	TELELUTTEUR POMPE CUVE 2	FERNSCHALTTER DER WASCHPUMPE 2	CONTACTOR BOMBA LAVADO 2	CONTACTOR BOMBA LAVADO 2														
MV3	TELELUTTORE POMPA ALIMENTO PRESSIONE	BOOSTER PUMP CONTACTOR	SURPRESSEUR TELELUTTEUR	FERNSCHALTTER DER WASCHPUMPE	CONTACTOR BOMBA ALIMENTO DE PRESSIONE	CONTACTOR BOMBA ALIMENTO DE PRESSIONE														
MV6	TELELUTTORE MOTORE GESTO	RACK MOTOR CONTACTOR	TELELUTTEUR MOTEUR PAINIER	FERNSCHALTTER DES KOMBIMOTORS	CONTACTOR DE MOTOR GESTO	CONTACTOR DE MOTOR GESTO														
MV7	TELELUTTORE MOTORE ASPIRATORE	STEAM CONDENSER CONTACTOR	TELELUTTEUR ASPIRATEUR MOTEUR	FERNSCHALTTER DES DAMPKONDENSATORS	CONTACTOR DE MOTOR EXTRACTOR	CONTACTOR DE MOTOR EXTRACTOR														
MVZ	MOTORE TIMER	TIMER MOTOR	MOTEUR PROGRAMMATEUR	TIMERMOTOR	MOTOR TIMER	MOTOR TIMER														
MVZV	MOTORE TIMER VELOCE	FAST TIMER MOTOR	MOTEUR PROGRAMMATEUR A GRANDE VITESSE	SCHNELLTIMERMOTOR	MOTOR TIMER RAPIDO	MOTOR TIMER RAPIDO														
M1	POMPA LAVAGGIO 1	PUMP TANK 1	POMPE CUVE 1	WASCHPUMPE 1	BOMBA DE LAVADO 1	BOMBA DE LAVADO 1														
M2	POMPA LAVAGGIO 2	PUMP TANK 2	POMPE CUVE 2	WASCHPUMPE 2	BOMBA DE LAVADO 2	BOMBA DE LAVADO 2														
M3	POMPA ALIMENTO PRESSIONE	BOOSTER PUMP	POMPE ALIMENTATION PRESSION	NACHSPULPUMPE	BOMBA ALIMENTO DE PRESSIONE	BOMBA ALIMENTO DE PRESSIONE														
M4	POMPA SCARICO	DRAIN PUMP	POMPE DE VIDANGE	LAUGERPUMPE	BOMBA DE DESCARGUE	BOMBA DE DESCARGUE														
M5	DOSATORE DETERGENTE ELETTRICO	ELECTRIC DETERGENT PUMP	DOSEUR ELECTRIQUE DETERGENT	DOSENGERAT	DOSIFICADOR DE JABON ELECTRICO	DOSIFICADOR DE JABON ELECTRICO														
M6	MOTORE GESTO	RACK MOTOR	MOTEUR PAINIER	KOMBIMOTOR	MOTOR GESTO	MOTOR GESTO														
M7	MOTORE ASPIRATORE	STEM CONDENSER	MOTEUR D'ASPIRATION	DAMPFKONDENSATOR	MOTOR ASPIRADOR	MOTOR ASPIRADOR														
M8	POMPA LIFT	PUMP LIFT	POMPE LIFT	HAUPTLIFT	BOMBA LIFT	BOMBA LIFT														
O1	INTERUTTORE ON/OFF	MAIN SWITCH	INTERUTTEUR GENERAL	HAUPTSCHALTTER	INTERRUPTOR GENERAL	INTERRUPTOR GENERAL														
RB	RESISTENZA BOLLER	BOLLER HEATING ELEMENT	RESISTANCE SURCHAUFFEUR	BOLLERHEIZUNG	RESISTENCIA CALDERIN	RESISTENCIA CALDERIN														
RV	RESISTENZA VASCA	TANK HEATING ELEMENT	RESISTANCE CUVE	TANKHEIZUNG	RESISTENCIA CUBA	RESISTENCIA CUBA														
S1	PULSANTE START CICLO	CYCLE SWITCH	BOUTON DEMARRER	START-TASTE	BOTON DE CICLO	BOTON DE CICLO														
S2	PULSANTE DEPURAZIONE	REGENERATION CYCLE SWITCH	BOUTON REGENERATION	REGENERATION-TASTE	BOTON DE DEPURACION	BOTON DE DEPURACION														
S3	PULSANTE SCARICO	DRAIN PUMP SWITCH	BOUTON POMPE DE VIDANGE	ENTLEERUNGSPUMPE-TASTE	BOTON DE DESCARGA	BOTON DE DESCARGA														
S4	PULSANTE INCREMENTA	BUTTON INCREASE	BOUTON AUGMENTE	ERHOEHUNG-TASTE	BOTON DE AUMENTO	BOTON DE AUMENTO														
S5	PULSANTE DECREMENTA	BUTTON DECREASE	BOUTON DIMINUE	VERMINDERUNG-TASTE	BOTON DE DECREMENTO	BOTON DE DECREMENTO														
S6	PULSANTE RISC. FREDDO	RINSE COLD WATER SWITCH	BOUTON DE RINÇAGE FROID	KALTSPÜLUNG-TASTE	BOTON ELIQUAE FRIO	BOTON ELIQUAE FRIO														
S7	PULSANTE CICLO INFINITO	UNLIMITED CYCLE PUSH BUTTON	BOUTON DE CYCLE SANS ARRÊT	PAUSLOSE ZYKLUS-START-TASTE	BOTON DE CICLO LIMITADO	BOTON DE CICLO LIMITADO														
S8	PULSANTE PROGRAMMAZIONE	PROGRAMMATION SWITCH	BOUTON PROGRAMMATION	PROGRAMMSCHALTTER	BOTON DE PROGRAMACION	BOTON DE PROGRAMACION														
S9	PULSANTE INFO	INFO BUTTON	BOUTON INFORMATION	INFOKNOPF	BOTON DE PROGRAMACION	BOTON DE PROGRAMACION														
SL	SENSORE LIVELLO VASCA	LEVEL TANK SENSOR	PRESSOSTAT CUVE	TANKNIVEAUSENSOR	SENSOR DE NIVEL CUBA	SENSOR DE NIVEL CUBA														
SL1	SENSORE LIVELLO BOLLER	PRESSURE SWITCH BOLLER	PRESSOSTAT BOLLER	BOILERNIVEAUSENSOR	SENSOR DE NIVEL CALDERIN	SENSOR DE NIVEL CALDERIN														
SL2	SENSORE LIVELLO BREAK TANK	BREAK TANK LEVEL SENSOR	CAPTEUR DE NIVEAU BREAK TANK	BOILERNIVEAUSENSOR FÜR BREAK TANK	SENSOR DE NIVEL BREAK TANK	SENSOR DE NIVEL BREAK TANK														
SL3	SENSORE LIVELLO SICUREZZA	SECURITY LEVEL SENSOR	CAPTEUR DE NIVEAU DE SECURITE	SICHERHEIT'SNIVEAUSENSOR	SENSOR DE NIVEL SEGURIDAD	SENSOR DE NIVEL SEGURIDAD														
SL4	SENSORE LIVELLO DETERGIVO	LEVEL DETERGENT SENSOR	CAPTEUR DE NIVEAU PRODUIT LAVAGE	NIVEAUSENSOR FÜR WASCHEMITTEL	SENSOR DE NIVEL DOSIFICADOR DE JABON	SENSOR DE NIVEL DOSIFICADOR DE ABRILLANTADOR														
SL5	SENSORE LIVELLO BRILLANTANTE	LEVEL RINSE SENSOR	CAPTEUR DE NIVEAU RINÇAGE	NIVEAUSENSOR FÜR SPÜLMITTEL	SENSOR DE NIVEL DOSIFICADOR DE ABRILLANTADOR	SENSOR DE NIVEL DOSIFICADOR DE ABRILLANTADOR														
SL6	SENSORE LIVELLO SALE	SALT LEVEL	CAPTEUR DE NIVEAU DU SEL	NIVEAUSENSOR FÜR SALZ	SENSOR DE NIVEL SAL	SENSOR DE NIVEL SAL														
SL8	SENSORE LIVELLO BREAK TANK LIFT	LEVEL LIFT TANK SENSOR	CAPTEUR DE NIVEAU TANK LIFT	NIVEAUSENSOR FÜR TANK LIFT	SENSOR DE NIVEL LIFT TANK	SENSOR DE NIVEL LIFT TANK														
SL8	SENSORE LIVELLO BREAK TANK	LEVEL BREAK TANK SENSOR	CAPTEUR DE NIVEAU BREAK TANK	NIVEAUSENSOR FÜR BREAK TANK	SENSOR DE NIVEL BREAK TANK	SENSOR DE NIVEL BREAK TANK														
S01	SENSORE FINECORSA PORTA	DOOR SAFETY SWITCH	CAPTEUR MICRO SECURITE PORTE	TÜR-KONTAKT	SENSOR FINAL DE CARRERA PUERTA	SENSOR FINAL DE CARRERA PUERTA														
S02	SENSORE FILTRO	FILTER SWITCH	CAPTEUR FILTRE	FILTER-SENSOR	SENSOR FILTRO	SENSOR FILTRO														
SE1	TERMOSTATO SICUREZZA BOLLER 1	SAFETY THERMOSTAT BOLLER	THERMOSTAT BOLLER DE SECURITE	SICHERHEIT'S-THERMOSTAT DES BOILERS 1	TERMOSTATO DE SEGURIDAD CALDERIN 1	TERMOSTATO DE SEGURIDAD CALDERIN 1														
SE2	TERMOSTATO SICUREZZA VASCA 1	SAFETY THERMOSTAT TANK 1	THERMOSTAT DE SECURITE CUVE 1	SICHERHEIT'S-THERMOSTAT DER TANK 1	TERMOSTATO DE SEGURIDAD TANK 1	TERMOSTATO DE SEGURIDAD TANK 1														
SE10	TERMOSTATO DI SICUREZZA VASCA 1	SAFETY TANK THERMOSTAT	THERMOSTAT DE SECURITE CUVE	SICHERHEIT'S-THERMOSTAT DER TANK	TERMOSTATO DE SEGURIDAD TANK 1	TERMOSTATO DE SEGURIDAD TANK 1														
ST1	TERMOSTATO BOLLER 1	BOLLER THERMOSTAT	THERMOSTAT SURCHAUFFEUR	BOILERTHERMOSTAT 1	TERMOSTATO CALDERIN 1	TERMOSTATO CALDERIN 1														
ST10	TERMOSTATO VASCA 1	TANK THERMOSTAT	THERMOSTAT CUVE	TANKTHERMOSTAT 1	TERMOSTATO CUBA 1	TERMOSTATO CUBA 1														
TA4	TRASFORMATORE	TRANSFORMER	TRANSFORMATEUR	TRANSFORMATOR	TRANSFORMATOR	TRANSFORMATOR														

L

REV. 01

REV./DATE 11/03/10

IMPIANTO / INSTALLATION

SCHEMA ELET.LAVASTOVIGLIE

TITOLO / TITLE

LEGENDA SIGLE / LEGEND

N. DIS. .

N. ARH. .

FOGLIO 1

SEQUE FOLIO 2

COD. DOC. leggenda new sottobanco 40003

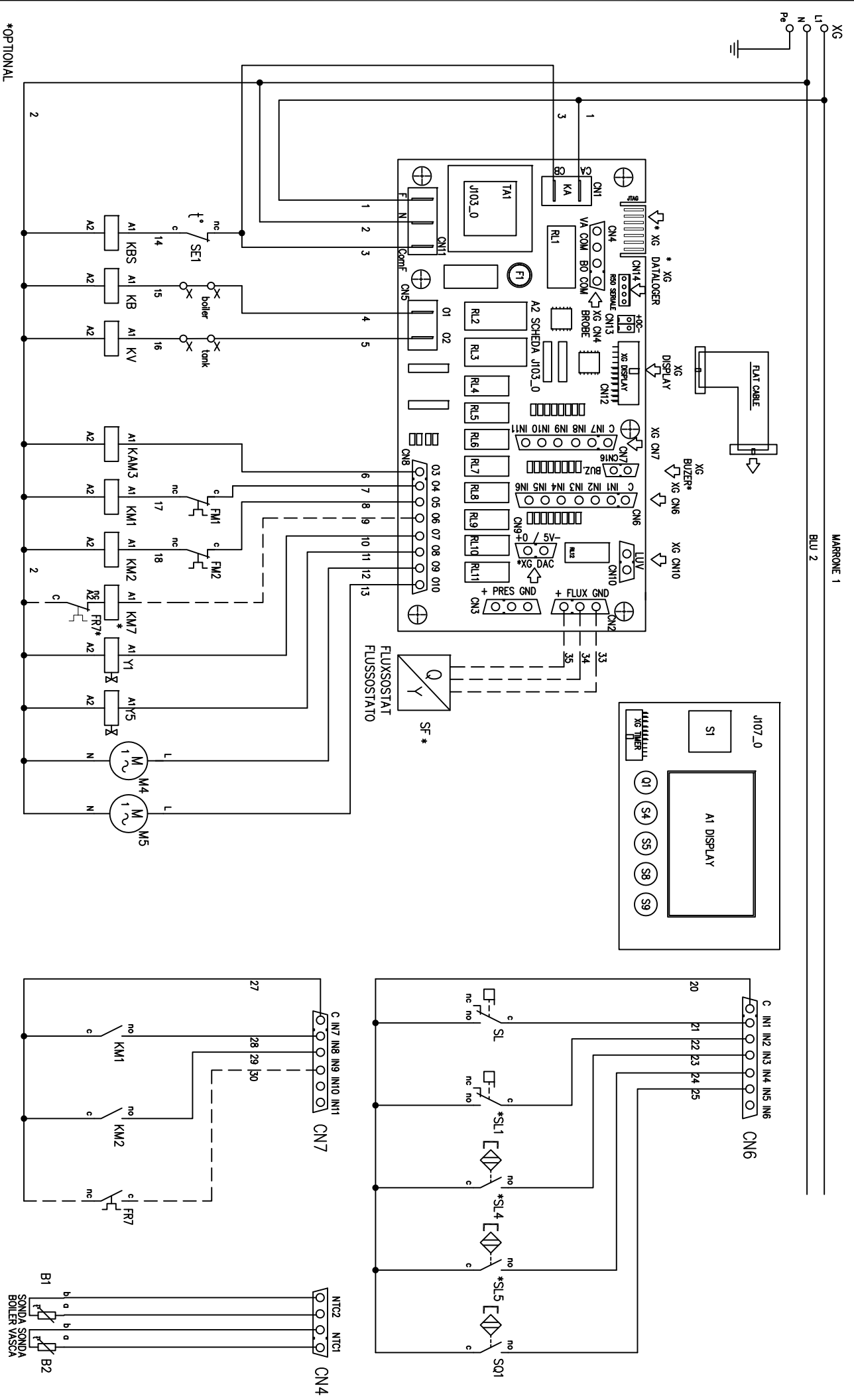
DATA EMISSIONE / DATE

06/10/2009

TOT. FOGLI 2

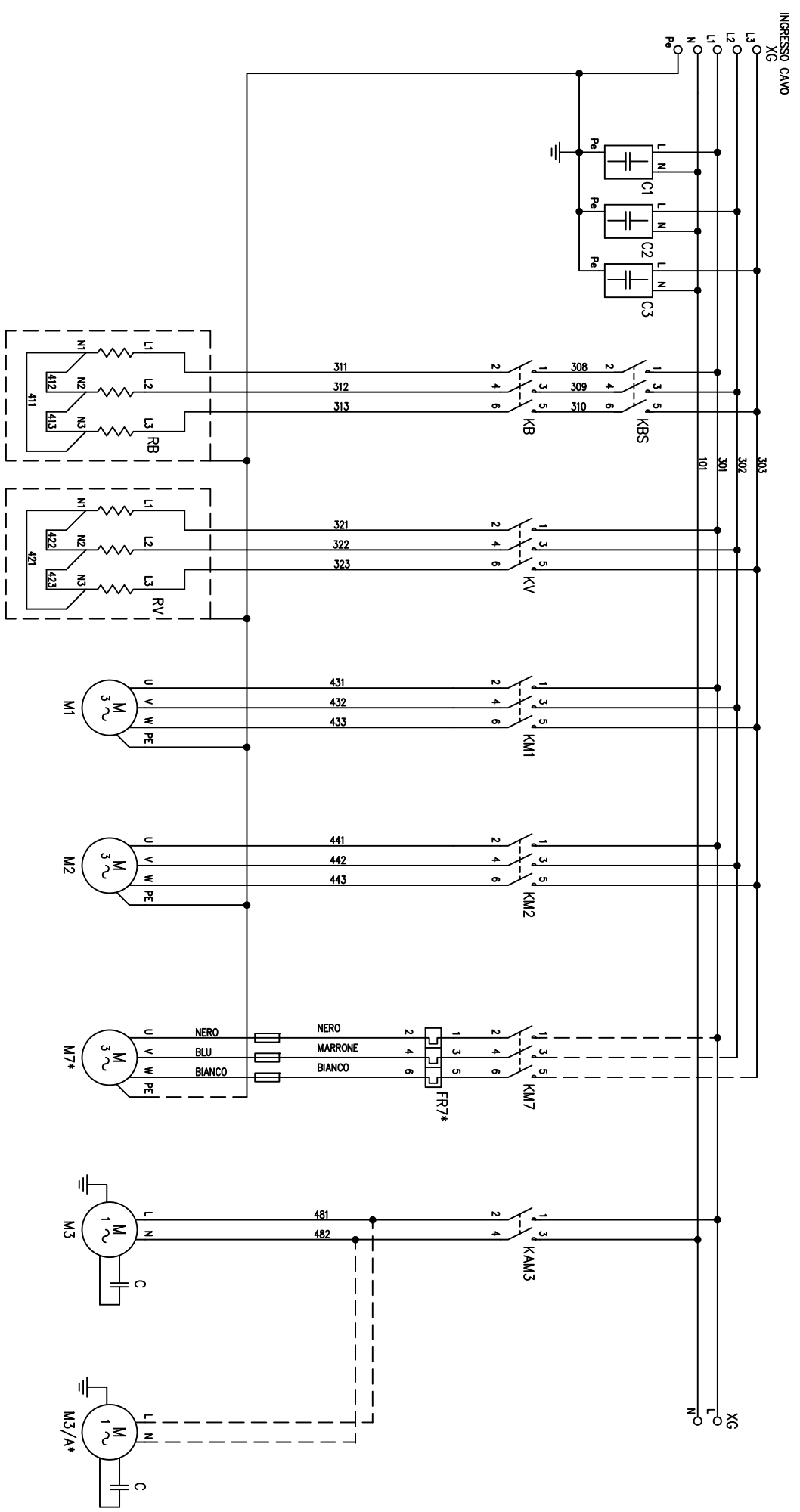


MARRONE 1  
BLU 2



\*OPTIONAL

REV. 00	REV./DATE	IMPIANTO / INSTALLATION	TITOLO / TITLE	N. DIS. / N. ARCH.	FOGLIO / PAGE	SEQUE / FOLLOWS
		SCHEMA ELET.LAVASTOVIGLIE	SCHEMA FUNZIONALE / ELECTRICAL DIAGRAM	28/02/2011	1	1
		220-230 V 1P 50/60HZ	411801	DATA EMISSIONE / DATE	TOT. FOGLI / TOT. PAGE	



\*OPTIONAL

REV. 00	REV./DATE	IMPIANTO / INSTALLATION	TITOLO / TITLE	N. DIS. / N. ARCH.	FOGLIO PAGE 1
		380-415V 3P+N 50/60HZ	SCHEMA ELET. DI POTENZA / ELECTRIC POWER DIAGRAM	DATA EMISSIONE / DATE	SEQUE FOLLOWS
				28/02/2011	1
					1