

GDM-35-HC~TSL01

Upright Retail Merchandiser Refrigerator, 2 Full Glass Swing Doors



Dimensions	
External Width (mm)	1004
External Depth (mm)	759
External Height (mm)	1998
Exclusions	Depth does not include 42 mm for door handle or 13 mm for rear access panel.
Net Volume (Litres)	636
Gross Volume (Litres)	991
Display Area (?)	1.01
Supplied Shelves	8
Shelf Size (L x D mm)	439 x 573
Internal Net Height (mm)	1300
Unpackaged Weight (kg)	162
Packaged Weight (kg)	173
Packaged Dimensions (W x D x H mm)	1083 x 902 x 2134
Supplied Supports	Leg Levellers (Castors supplied separate)

Build	
Door Description	2 Full Glass Swing Doors
Exterior Construction	Stainless Steel/Aluminium front, Aluminium sides and rear (Black or White Powder Coat option)
Interior Construction	White coated aluminium, stainless steel base
Air Intake Position	Front
Ventilation Position	Rear
Clearance Required	26 mm rear, zero sides
Cord Length (Meters)	2.74
Internal Lighting	LED
Standard w/ Locks	Not Standard. Options available.

Technical	
Temperature Holding	0.5 : 3.3°C
Refrigerant	R290
Voltage / Frequency / Phase	220-240V/50Hz/1
Amps	4.6
Wattage	1058
Temperature Class	M1
Operating Statement	Tested at 25°C, 60% RH, per 'Refrigerators with a Direct Sales Function' for perishable food merchandising.
Testing Standard	EN 23953
EEC	C
EEL	24.9
kWh/24hr	5.76
kWh/Annum	2103
Defrost Type	Auto



Specifications subject to change without notice.
Chart dimensions rounded up to the next whole millimeter (inches rounded up to the 1/8")

UK & Ireland
Europe
Australia

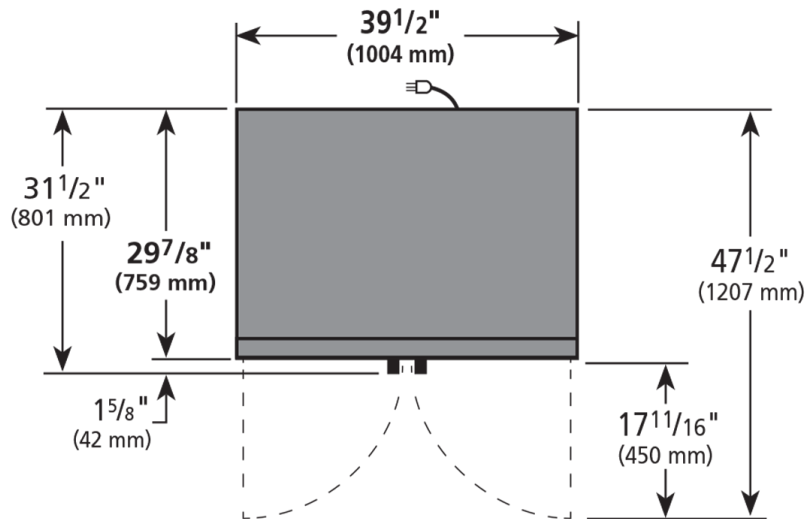
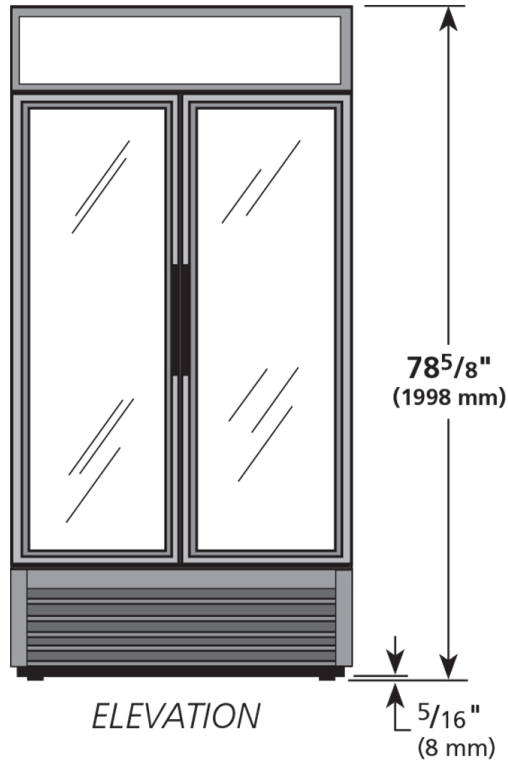
0800 783 2049
+49 (0) 7622 6883 0
+61 2 9619 9999

TFIUK@truemfg.com
TrueGermCustomerService@truemfg.com
TrueRefAus@truemfg.com



GDM-35-HC~TSL01

Upright Retail Merchandiser Refrigerator, 2 Full Glass Swing Doors



Specifications subject to change without notice.
Chart dimensions rounded up to the next whole millimeter (inches rounded up to the 1/8")

UK & Ireland
Europe
Australia

0800 783 2049
+49 (0) 7622 6883 0
+61 2 9619 9999

TFIUK@truemfg.com
TrueGermCustomerService@truemfg.com
TrueRefAus@truemfg.com

