



Client \_\_\_\_\_ Quantity \_\_\_\_\_  
Project \_\_\_\_\_ Position \_\_\_\_\_

## FUN 700

**Model:** F70/40PCGB/A

**Cod:** MP01012113000

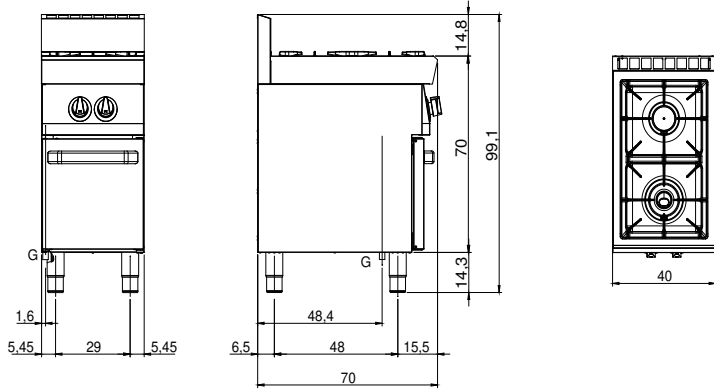
### Technical data

<b>Modularity:</b>	On open cabinet
<b>Dimension (mm):</b>	400x700x850
<b>Total gas power (Kcal/h):</b>	7911
<b>Total gas power (kW):</b>	9,2
<b>Gas connection:</b>	1/2"
<b>Net volume (m3):</b>	0,238
<b>Packing dimensions (mm):</b>	477x776x1147
<b>Gross weight (kg):</b>	39
<b>Burner power 1 (kW):</b>	5,5
<b>Burner power 2 (kW):</b>	3,7
<b>Gross volume (m3):</b>	0,425

### Features

<b>Burners:</b>	Double or single crown cast iron version available with a pilot light
<b>Grill:</b>	Cast-iron with brass single- and double-crown burner with pilot
<b>Working top:</b>	Made of AISI 304 stainless steel with a thickness of 10/10 mm and removable enamelled containers
<b>Knobs:</b>	Knobs are made from a sturdy heat-resistant polymer blend and are equipped with liquid anti-leakage washer
<b>Kit Gas:</b>	Natural gas conversion kit 30/50 m/bar (tested with natural gas G20)

Technical draw



G: Gas connection 1/2"