

**HOSHIZAKI
BAKER**



Parts list for BAKER F 950



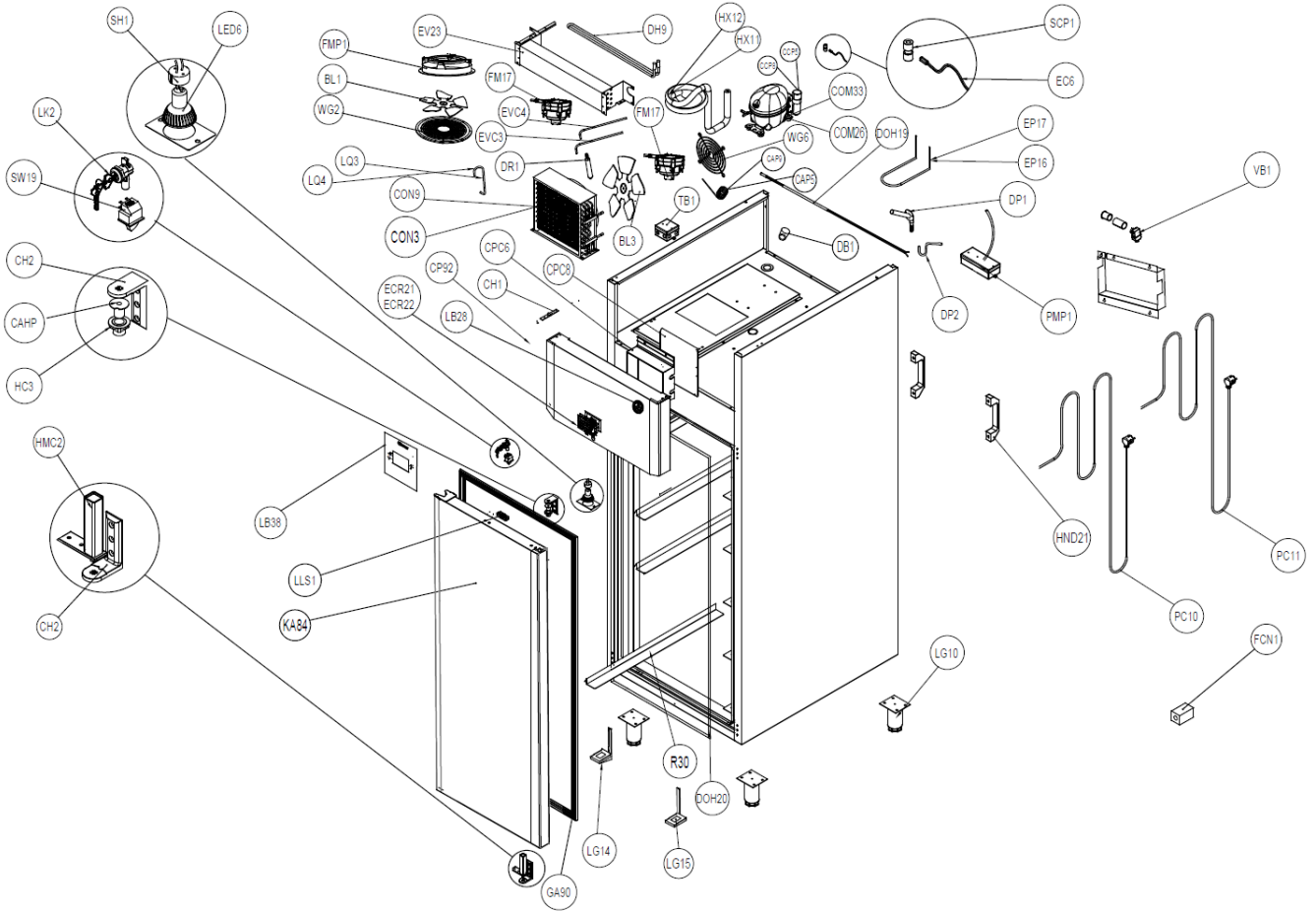
HOSHIZAKI BAKER

Description :

Parts list for BAKER F 950

Compiled.		Latest revision.			Deleted.	
Date	Name	Date	Name	Rev.no	Date	Name
11 th January, 2024	Y.P	19 th December, 2023	K. TEKE			

Exploded view



HOSHIZAKI BAKER

Description :

Parts list for BAKER F 950

Compiled.		Latest revision.			Deleted.	
Date	Name	Date	Name	Rev.no	Date	Name
11 th January, 2024	Y.P	19 th December, 2023	K. TEKE			

PICTURE ID	DESCRIPTION	Hoshizaki item code
BL1	CONDENSER FAN BLADE IMPELLER ALU. Q20 CM-28°	760660079
BL3	CONDENSER FAN BLADE IMPELLER ALU. Q25 CM-28°	760660217
CAHP	CABINET HINGE PIN	760660031
CCP8	START.CAP. 88-108MFD 330V (NEU 2168U)	760660299
CH1	CANOPY HINGE 245-061-061	760660218
CH2	CABINET HINGE	760660078
COM26	COMPRESSOR R-290 EMBRACO NEU 2168 U	760660301
CON3	CONDENSER Ø250-10R-10T WIRE	760660306
CAP9	CAPILLARY 1,0*2,7	760660036
CP92	CONTROL PANEL WITH LABEL - CABINET BAKER M & F 950	760660499
CPC6	CONTROL UNIT COVER BOTTOM BODY	760660317
CPC8	BAKER 950 DIGITAL CASING SHEET	760660500
DH9	DEFROST HEATER U 22*8,5*581 MM 500W/230V	760660319
DOH19	DRAIN LINE HEATER 230V 12W 2000 MM	760660325
DOH20	HEATING CABLE PVC - 230V - 30W LENGHT INC. COLDZONE 4750 MM TERMINATION	760660326
DP1	DRENAGE LINE PLASTIC	760660327
DP2	S DRENAGE LINE PLASTIC	760660328
DR1	DRAYER 20 GR 6,35 * 2,5	760660058
DB1	DISTANCE BUSH	760660501
ECR22	PREPROGRAMMED CONTROLLER DIGITAL EVCO EVJ203N7VN FREEZER BAKER F 950	760660348
EC6	DIGITAL SENSOR EVCO NTC PROP EVTPN615F200	760660054
EP16	RE-EVAPORATION PIPE 6" (BAKER F 950)	760660355
EV23	EVAPORATOR 3R 4T (25x21,65 - 3/8") 510 L 4,8 H 1NC 1BB	760660363
EVC3	SERVICE PIPE 03	760660366
EVC4	SERVICE PIPE 04	760660367
FCN1	SNAP FERRITE CORE CABLE DIAMETER 8	760660268
FM17	ELCO ECM 12-10 -WITH 100CM CABLE -HBR12N0AC3013-	760660275
FMP1	FAN SUPPORT PLASTIC Q20	760660077
GA90	MAGNETIC SEAL GRAY 1521*726	760660378
HC3	CABINET HINGE PVC BUSHING	760660032
HND21	SK7407-7057 ALUMINIUM HANDLE	760660506
HMC2	SPRING FORCED HINGE FOR CABINET DOORS	760660090
HX12	HEAT EXCHANGER 12 (BAKER F 950)	760660382
KA84	SOLID DOOR ASSEMBLY BAKER 950	760660502
LB28	HOSHIZAKI PENGUEN LABEL	760660400
LB38	LABEL JUMBO DIJITAL BLACK	760660401
LED6	SPOTLIGHT LED 3,2 - 4,7 W PHILIPS ESSENTIAL 6500K	760660230
LG10	STAINLESS STEEL LEG 130-180 MM	760660454
LG14	LEG PEDAL RIGHT	760660403
LG15	LEG PEDAL LEFT	760660404
LK2	DOOR LOCK	760660127
LLS1	LOCK LIP STRIKE	760660231
LQ3	LIQUID LINE PIPE 03	760660407
PC10	PLUG CABLE 3*1,5 - 5,0 MT EURO SOCKET	760660613
PC11	PLUG CABLE 3*1,5 - 5,0 MT UK SOCKET	760660614
PMP1	EVAPORATION PUMP	760660408
R30	BAKER 950 MODEL RAIL	760660504
SCP1	DIGITAL SENSOR COVER PART	760660233
SH1	CABLE GROUP FOR LIGHT SOCKET	760660234

**HOSHIZAKI
BAKER**

Description :

Parts list for BAKER F 950

Compiled.		Latest revision.			Deleted.	
Date	Name	Date	Name	Rev.no	Date	Name
11 th January, 2024	Y.P	19 th December, 2023	K. TEKE			

SW19	REFRIGERATOR DOOR SWITCH ARCO 250VAC	760660507
TB1	TERMINAL BOX 75x75x50	760660267
VB1	PLASTIC VACUUM BREAKER (765081206)	765081206
WG2	FAN GUARD Q20 PLASTIC	760660068
WG6	FAN GUARD WIRE Q25 CM	760660287