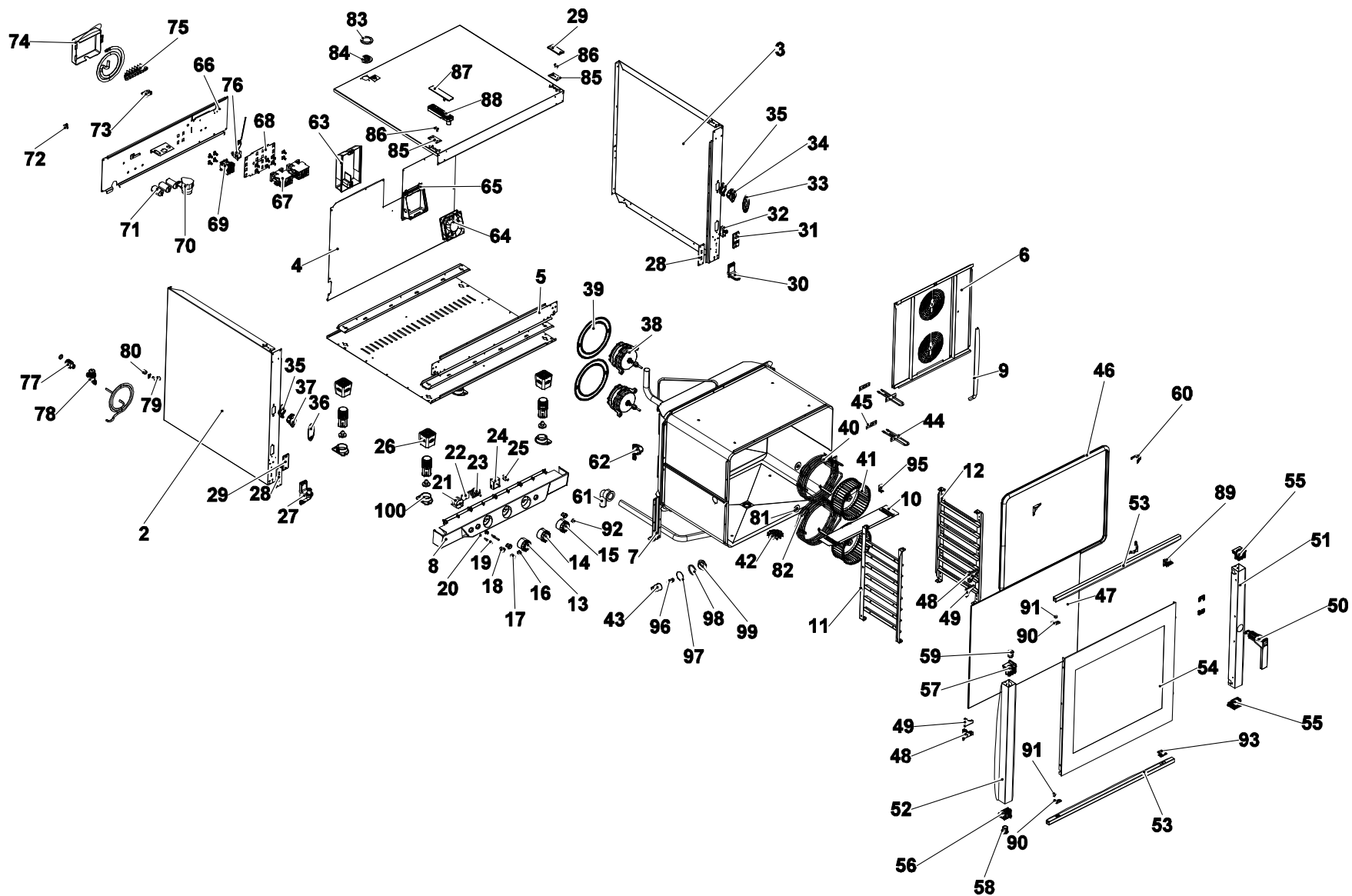


# MOD: XV593

## EXPLODED VIEW DISEGNO ESPLOSO



# MOD: XV593

# EXPLODED VIEW DISEGNO ESPLOSO



## DESCRIZIONE CODICI

2	0D2132A0	FIANCO SX XB69- XV59-
3	0D2133A0	FIANCO DX MANUAL XB693 XB593
4	0F1428A0	SCHIENA ZINCATA XB69- XV59-
5	0H6240A0	LAMIERA CRUSCOTTO BAKERLUX CHEFLUX
6	0G1474A0	CARTER PUNTATO XB69- XV59-
7	0H6334A0	STAFFA SOSTEGNO MUFFOLA BL CL
8	VM1972A0	CRUSCOTTO BAKERLUX/CHEFLUX MECCANICO
9	TB2215A0	TUBO INTERNO UMIDITA' XB69- XV59- Ø16x1
10	0G1476A0	DISTANZIALE CARTER BL CL
11	GRL1292A0	SUPPORTO LAT. SX 7 GNI/1
12	GRL1225A0	SUPPORTO LATERALE DX INOX 7TG GNI/1
13	MN1111A0	MANOPOLA TERMOSTATO CHEFLUX BAKERLUX
14	MN1112A0	MANOPOLA TIMER CHEFLUX BAKERLUX
15	MN1113A0	MANOPOLA UMIDITA' CHEFLUX BAKERLUX
16	VE1530A0	GEMMA ELLITTICA AZZURRA TERMOMETRO ORO
17	VE1585A0	GEMMA ELLITTICA AZZURRA SINUSOIDE ORO
18	VE1170A0	SUPPORTO D16 ELLITTICO NICHEL OPACO
19	VE1535A0	LED BIANCO 230V
20	VM1762A0	SUPPORTO LAMPADA INTERNO
21	TM1005A0	TIMER M12 60 MIN 250V 16A
22	TM1001C1	SUONERIA ELETTRONICA 15 SEC 120V
23	TR1100A0	TERMOSTATO REG. 269°C 55.19052.80
24	VE1556A0	REGOLATORE ENERGIA 240V
25	VE1562A0	PULSANTE UNIPOLARE NA
26	PD1060A0	PARTI FISSA PIEDE CT BT
27	VM1160B0	STAFFA INFERIORE PORTA CT BT
28	0H6333A0	CONTROSTAFFA PORTA FILETTATA BL CL
29	VM1195A0	PIASTRINA COPRIFORI XVC204/304/504/704
30	VM1160B0	STAFFA INFERIORE PORTA CT BT
31	VM1200A0	PIASTRINA SUPPORTO MICROPORTA MECCANICO
32	VE1295A0	MICROINTERRUTTORE PORTA MK 16A 230V UL
33	VM1460A0	COPERCHIO DX SCROCCO PORTA XBC/XVC
34	VM1190A2	SCROCCO MANIGLIA DX CT BT
35	VM1192A1	COPERCHIO SCROCCO MANIGLIA CT BT
36	VM1461A0	COPERCHIO SX SCROCCO PORTA XBC/XVC
37	VM1191A2	SCROCCO MANIGLIA SX CT BT
38	VN1130A0	MOTORE FORNO 330W 230V 50/60HZ
39	0H3586A0	LAMIERA PROTEZIONE MOTORE ZINCATO
40	RS1150A0	RESISTENZA CIRC. D=230 5 SPIRE
41	VN1030A4	VENTOLA D196 H81 39 PALE DADO M8
42	0H2551A0	TAPPO PER TUBO DI SCARICO LIQUIDI INOX C
43	VE1015A1	PORTA LAMPADA SERIE 2 PER LAMPADA
44	RS1261A0	RESISTENZA MOTORE BAKERLUX/CHEFLUX
45	GN1326A0	GUARNIZIONE RES. 70X22X0.8
46	GN1343B0	GN1000B-GUARNIZIONE PORTA XBC804-805
47	VT1135A0	VETRO INTERNO 743X620X6 BETFL
48	VM1231A0	CERNIERA INF. ALLUMINIO VETRO
49	GN1180A0	GUARNIZIONE CERNIERE VETRO INT.
50	VM1180A0	IMPUGNATURA MANIGLIA XVC204/304/504/704

51	TB2209A0	COLONNINA DX BAKERLUX 6TG 50x50x1.2
52	TB2210A0	COLONNINA SX BAKERLUX 6TG 50x50x1.2
53	TB2218A0	LISTELLO INF. BL CL L= 854 20x20x1
54	VT1136B0	VETRO ESTERNO SER. 757X743X4 CHIARO
55	VM1976A0	TAPPO ESTETICO COLONNINA PORTA CL BL
56	VM1978A0	TAPPO FULCRO INFERIORE PORTA CL BL
57	VM1977A0	TAPPO FULCRO SUPERIORE PORTA CL BL
58	VM1510A0	BOCCOLA SCANALATA PERNO PORTA XBC/XVC
59	VM1511A0	BOCCOLA USCIA PERNO PORTA CHEFFTOP
60	0H1450A0	ANGOLO FACCIATA MUFFOLA INOX XB-XV-XG
61	VM1260A0	CURVA A 90° RACCORDO SCARICO
62	EL1252A0	ELETTROVALVOLA H2O 1 VIA RID. VERDE
63	VM1556A0	PROTEZIONE VENTOLA RAFFREDDAMENTO CT-BT
64	VN1120B1	VENTOLA RAFFREDDAMENTO 12V CABLATA
65	VM1555A1	SUPPORTO VENTOLA RAFFREDDAMENTO CT BT
66	0H6241A0	SUPPORTO COMPONENTI BL CL MANUAL
67	VE1095A0	TELERUTTORE GE 25A 230V 50/60
68	0H6361A0	LAMIERA FISSAGGIO TELERUTTORI
69	VE1115A0	MINICONTATTORE QUADRIPOLE 20 A 230 V
70	VE1555A0	INVERTITORE DI MARCIA
71	VE1110A0	CONDENSATORE 6,3 µF 450VAC 50/60Hz
72	VM1750A0	MORSETTIERA A PETTINE
73	VE1075A0	PRESSACAVO FV 268 RO+VITI FISSAGGIO
74	VM1310A0	SCATOLA COPRI MORSETTIERA XB/XV/XVC/XG
75	MR1004A0	MORSETT. 7FTW GV V0 VL CU 1+2+3/4+5+6
76	TR1136A0	TERMOSTATO SIC. UNIP. 330°C
77	RC1210A1	RACCORDO 3/4 VALVOLA DI NON RITORNO
78	EL1375A0	FILTRO ACQUA Ø8 MESH100
79	EL1195A0	RACCORDO A GOMITO CON J.GUEST
80	EL1185A0	RACCORDO A GOMITO J.GUEST Ø8 - Ø8
81	GN1140A1	GUARNIZIONE PORTAMOTORE STAMP.
82	0H4305A1	DISCO TENUTA ALBERO MOTORE INOX STIP
83	0H3790A0	LAMIERA TENUTA CAMMINO
84	GN1275A0	GUARNIZIONE CAMMINO SILICONE NERO XVC
85	0H2560A0	CONTROSTAFFA ZINCATA PORTA C.T.
86	VM1240A0	TAPPO NYLON SUPPORTO CONTROSTAFFA
87	VM1166A0	COPERCHIO STAFFA SUPERIORE PORTA
88	VM1165B0	STAFFA SUPERIORE PORTA CT BT
89	VM1897A0	FERMO SUPPORTO VETRO SUPERIORE
90	0H2650A0	CERNIERA INOX VETRO INTERNO XBC/XVC
91	TF1010A0	BOCCOLA TEFLON CERNIERA VETRO
92	VM2007A0	TASTO ARGENTO OPACO VELOCITA' VENTOLA
93	VM1896A0	SUPPORTO VETRO INFERIORE
95	0H4820A0	STAFFA SOSTEGNO BULBO
96	VE1005A3	LAMPADA HALOPIN 25W
97	GN1055A0	OR 46x2 VMQ 70 ROSSO
98	GN1065A1	GUARNIZIONE PORTALAMPADA DE=53.2
99	VT1195A0	VETRO COPRILAMPADA BORSILICATO TEMPRATO
100	PD1063A0	STAFFA BLOCCAGGIO PIEDE CT BT

## DESCRIPTION

2	0D2132A0	XB69- XV59- LEFT SIDE EXTERNAL PANEL
3	0D2133A0	XB693 XB593 RIGHT SIDE EXTERNAL PANEL
4	0F1428A0	XB69- XV59- ZINCOED PLATED BACK PANEL
5	0H6240A0	BAKERLUX/CHEFLUX ST. STEEL CONTROL PANEL
6	0G1474A0	XB69- XV59- FAN GUARD
7	0H6334A0	BL CL COOKING CHAMBER HOLDING BRACKET
8	VM1972A0	BAKERLUX/CHEFLUX MANUAL CONTROL PANEL
9	TB2215A0	XB69- XV59- HUMIDITY INTERNAL PIPE Ø16x1
10	0G1476A0	BL CL FAN GUARD SPACER
11	GRL1292A0	7 GNI/1 LEFT LATERAL SUPPORT
12	GRL1225A0	7 GNI/1 ST. STEEL RIGHT LATERAL SUPPORT
13	MN1111A0	CHEFLUX BAKERLUX THERMOSTAT KNOB
14	MN1112A0	CHEFLUX BAKERLUX TIMER KNOB
15	MN1113A0	CHEFLUX BAKERLUX HUMIDITY CONTROL KNOB
16	VE1530A0	BLUE LIGHT COVER GOLD THERMOMETER
17	VE1585A0	BLUE LIGHT COVER GOLD SINUSOID
18	VE1170A0	OPAQUE NICKEL ELLIPTICAL SUPPORT D16
19	VE1535A0	WHITE LED 230V
20	VM1762A0	INNER LAMP SUPPORT
21	TM1005A0	TIMER M12 60 MIN 250V 16A
22	TM1001C1	ELECTRONIC BUZZER 15 SEC 120V
23	TR1100A0	269°C ADJUSTABLE THERMOSTAT 55.19052.80
24	VE1556A0	THERMAL SWITCH 240V
25	VE1562A0	UNIPOLAR NA PUSH BUTTON
26	PD1060A0	CT BT FOOT FIX COMPONENT
27	VM1160B0	CT BT DOOR LOWER BRACKET
28	0H6333A0	BL CL THREADED DOOR COUNTER BRACKET
29	VM1195A0	HOLES BLANKING PLATE XVC204/304/504/704
30	VM1160B0	CT BT DOOR LOWER BRACKET
31	VM1200A0	DOOR MECHANIC MICROSWITCH SUPPORT PLATE
32	VE1295A0	DOOR MICROSWITCH MK 16A 230V UL
33	VM1460A0	XBC/XVC RIGHT DOOR LATCH CAP
34	VM1190A2	CT BT RIGHT DOOR SPRING LATCH
35	VM1192A1	CT BT RIGHT DOOR SPRING LATCH COVER
36	VM1461A0	XBC/XVC LEFT DOOR LATCH CAP
37	VM1191A2	CT BT LEFT DOOR SPRING LATCH
38	VN1130A0	330W 230V 50/60HZ MOTOR
39	0H3586A0	ZINCATE MOTOR GUARD PLATE XBC-XVC
40	RS1150A0	CIRC. HEAT. ELEMENT D=230 5 TURNS
41	VN1030A4	MOTOR FAN D196 H81 39 BLADE NUT M8
42	0H2551A0	XBC/XVC ST. STEEL DRAIN COVER
43	VE1015A1	LAMP HOLDER SERIE 2 FOR HALOGEN LAMP
44	RS1261A0	BAKERLUX/CHEFLUX HEATING ELEMENT
45	GN1326A0	ELEMENT SEALING 70X22X0.8
46	GN1343B0	GN1000B-GUARNIZIONE PORTA XBC804-805
47	VT1135A0	INTERNAL GLASS 743x620x6 XBC604
48	VM1231A0	LOWER ALUMINIUM HINGE FOR INTERNAL
49	GN1180A0	INTERNAL GLASS HINGE CARBOGRAPHITE
50	VM1180A0	HANDLE HAFT XVC204/304/504/704

51	TB2209A0	XV593/XB693/XB695 RIGHT DOOR COLUMN
52	TB2210A0	XV593/XB693/XB695 LEFT DOOR COLUMN
53	TB2218A0	BL CL LOWER LISTEL L= 854 20x20x1
54	VT1136B0	EXT. GLASS SILKSCREENED 757X743X4
55	VM1976A0	CL BL DOOR COLUMN BLANKING CAP
56	VM1978A0	CL BL DOOR LOWER FULCRUM-CAP
57	VM1977A0	CL BL DOOR UPPER FULCRUM-CAP
58	VM1510A0	XBC/XVC GROOVED DOOR PIN BUSHING
59	VM1511A0	XBC/XVC SLEEK DOOR PIN BUSHING
60	0H1450A0	XB-XV-XG ST. STEEL MUFFLE FRONT CORNER
61	VM1260A0	90°C CURVED DRAIN PIPE
62	EL1252A0	ONE INLET WATER VALVE J.G.CONN.
63	VM1556A0	XBC-XVC COOLING FAN GUARD
64	VN1120B1	12V COOLING DOWN FAN
65	VM1555A1	CT BT COOLING DOWN FAN SUPPORT
66	0H6241A0	BL CL MANUAL COMPONENTS HOLDER
67	VE1095A0	REMOTE CONTROL SWITCH GE 25A 230V
68	0H6361A0	REMOTE CONTROL SWITCH FIXING PANEL
69	VE1115A0	MINICONTACTOR WITH 4 POLES 20 A 230 V
70	VE1555A0	REVERS SWITCH MOTOR P19.5J.02.H6.17
71	VE1110A0	CONDENSER 6,3 µF 450VAC 50/60Hz
72	VM1750A0	TERMINAL BOARD
73	VE1075A0	CABLE PRESS FV 268 RO
74	VM1310A0	COVER FOR TERMINAL BOX XB/XV/XVC/XG
75	MR1004A0	TERMINAL 7FTW GV V0 VL CU 1+2+3/4+5+6
76	TR1136A0	SAFETY THERMOSTAT UNIP. 330°C
77	RC1210A1	3/4 FEM. UNION +FILTER + NONRETURN VALVE
78	EL1375A0	Ø8 MESH100 WATER FILTER
79	EL1195A0	ELBOW UNION WITH J.GUEST TERMINAL
80	EL1185A0	ELBOW CONNECTION J. GUEST Ø8 - Ø8
81	GN1140A1	MOLDED MOTOR SUPPORT GASKET
82	0H4305A1	ST. STEEL MOTOR SHAFT SEALING DISC
83	0H3790A0	CHIMNEY HOLDING PLATE
84	GN1275A0	BLACK SILICON XBC/XVC CHIMNEY SEALING
85	0H2560A0	XBC/XVC ZINC PLAT. DOOR COUNTERBRACKET
86	VM1240A0	NYLON SUPPORT CAP
87	VM1166A0	CAP FOR DOOR UPPER STIRRUP XVC204/304/5
88	VM1165B0	CT BT DOOR UPPER BRACKET
89	VM1897A0	UPPER GLASS SUPPORT BACKSTOP
90	0H2650A0	XBC/XVC ST. STEEL INTERNAL GLASS HINGE
91	TF1010A0	TEFLON BUSHING FOR INTERNAL GLASS
92	VM2007A0	FAN SPEED SILVER BUTTON
93	VM1896A0	LOWER GLASS SUPPORT
95	0H4820A0	BULB HOLDING BRACKET
96	VE1005A3	HALOGEN LAMP 33W ENERGY SAVER
97	GN1055A0	OR 46x2 VMQ 70 RED
98	GN1065A1	SEAL FOR LAMP GLASS COVER (PURE
99	VT1195A0	BORSILICATE LIGHT BULB GLASS COVER
100	PD1063A0	CT BT FOOT BLOCKING BRACKET